

## STEEL SLIDES

# G4060 Push-to-Open Full Extension Slide

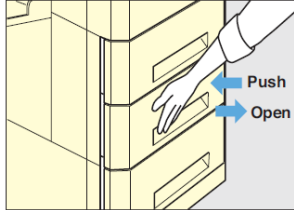
Max load 45kg · Push-to-open · Detachable

### Features

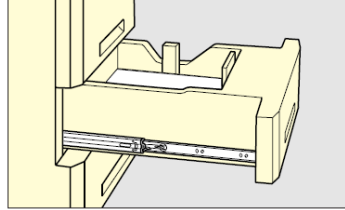
- Full extension
- Push-to-open mechanism, no handle or knobs required for a sleek, modern look
- Drawer is easily opened by slightly pushing the front plate
- Drawer / compartment is detachable by lifting the lever



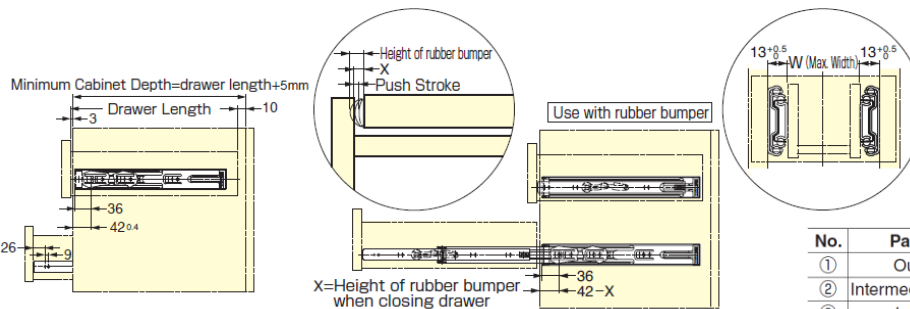
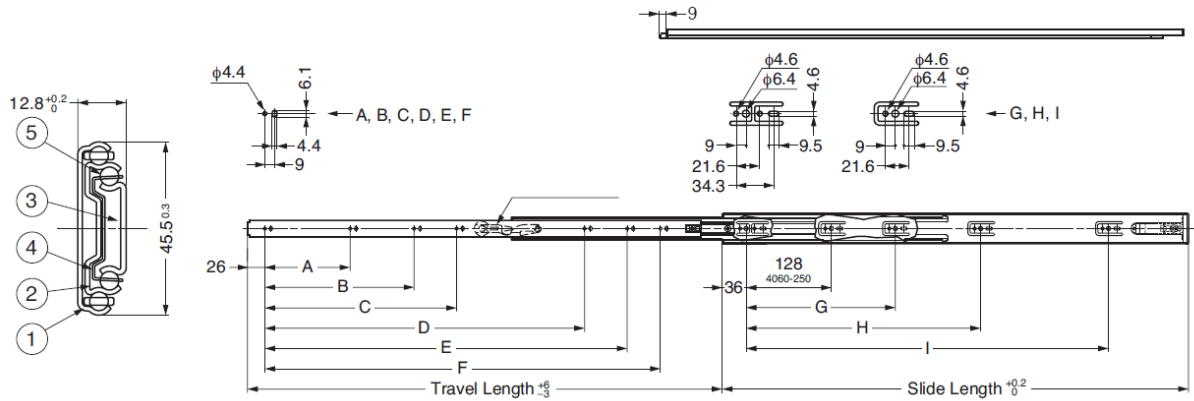
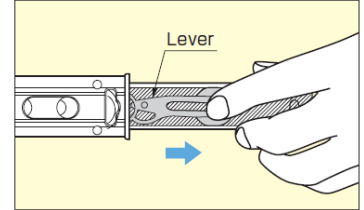
Push Open



Full Extension



Front Disconnect



No.	Part Name	Material	Finish
①	Outer Rail	Steel	Clear Zinc Chromate
②	Intermediate Member	Steel	Clear Zinc Chromate
③	Inner Rail	Steel	Clear Zinc Chromate
④	Retainer	Steel	Zinc Chromate Steel
⑤	Balls	Steel	—

Part No.	Slide Length	Travel Length	A	B	C	D	E	F	G	H	I	W	Load Capacity (pair)
G4060-250	250	238	-	-	-	-	-	156	-	-	106	450	200 N 20 kg
G4060-300	300	305	-	-	-	-	-	200	-	-	128	500	250 N 25 kg
G4060-350	350	356	96	-	-	-	-	256	-	-	192	550	350 N 35 kg
G4060-400	400	406	128	-	-	-	-	294	-	-	224	600	400 N 40 kg
G4060-450	450	457	196	160	-	-	-	344	-	-	288	650	450 N 45 kg
G4060-500	500	508	196	160	352	-	-	394	-	-	352	700	450 N 45 kg
G4060-550	550	559	196	192	384	-	-	444	-	-	352	750	450 N 45 kg
G4060-600	600	610	128	224	416	-	-	494	224	-	448	800	400 N 40 kg
G4060-650	650	660	128	224	416	480	-	544	224	352	480	850	350 N 35 kg
G4060-700	700	711	128	224	288	480	544	594	224	352	544	900	350 N 35 kg